

产品规格书

PRODUCT SPECIFICATION

PRODUCT—产品: 12VDC拨杆感应器MODEL NO—型号: HD016VC 7DATE——日期: 2021-07-12PREPARED—编制: 夏勇CHECKED—审核: 郑登新APPROVED—批准: 周蒙

客户确认

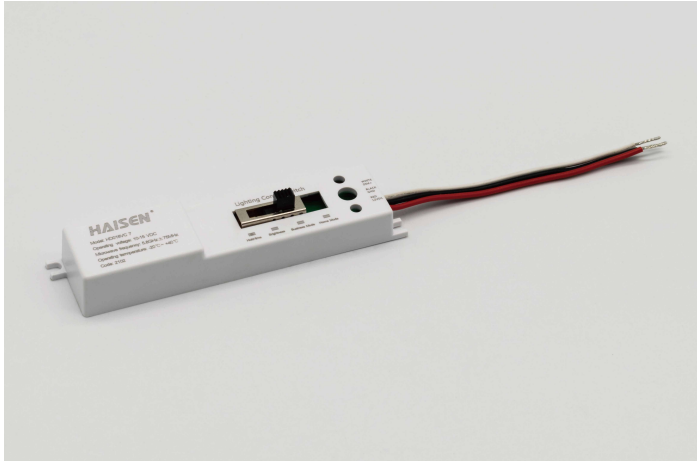
CUSTOMER RECEIVED

CUSTOMER—客户: _____

CHECKED—审核: _____

APPROVED—批准: _____

DATE——日期: _____



12VDC感应器 拨杆设置 12VDC Sensor with Lever Switch

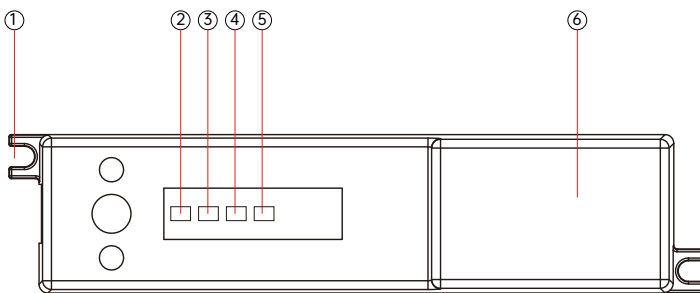
HD016VC 7

- 12VDC输入 • 1-10V调光 • 独特拨杆设置 • 四种模式功能
- 尺寸小巧, 结构百搭
- 12VDC Input • 1-10V Dimmable • Special Lever Switch
- 4 Optional Performance Modes • Small Size, One For All

Technical Data 参数规格

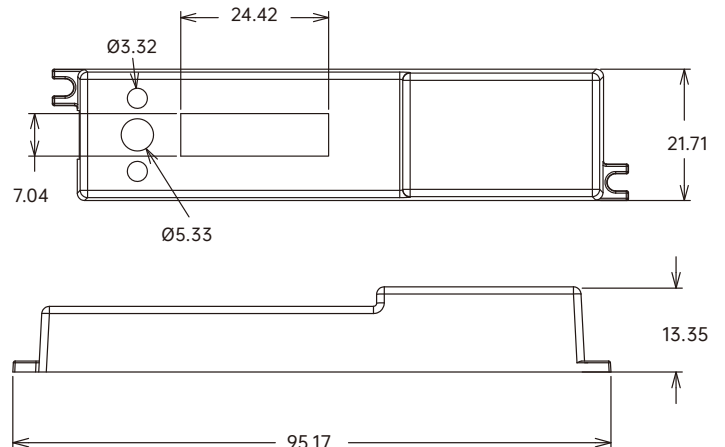
工作电压 Operating Voltage DC:10.5-15V	拨码一档 Lever Grade 1 测试模式 灵敏度 100%, 延时 5s Testing Mode, 100% detection area, holdtime 5S	微波频率 Microwave Frequency 5.8GHz±75MHz
工作电流 Operating Current <30mA	拨码二档 Lever Grade 2 关闭感应功能 灯常亮 Sensor OFF, keeps light always ON	微波功率 Microwave power 0.3mW
待机功率 Stand-by power <0.5W	拨码三档 Lever Grade 3 商用模式 灵敏度 100%, 延时 2min, 守候亮度 25% 守候时间+∞ General Mode, detection area 100%, holdtime 2min, standby dimming 25%, standby period +∞	工作温度 Operating Temperature -40°C~+80°C
连接方式 Connection 引线输出 红:12V 黑:GND 白:DIM+ With Wires Red:12V Black:GND White:DIM+	拨码四档 Lever Grade 4 居民模式 灵敏度 100%, 延时 2min Popular Mode, detection area 100%, holdtime 2min	功能设置方式 Programming 拨杆设置 Lever Switch
控制方式 Control Method ON/OFF DIM 调光 ON/OFF, DIM 1-10V	安装高度 Mounting Height Max.≤4.5m/14.76ft	防护等级 IP Rating IP20
探测角度 Detection Angle 侧面安装 <150° 垂直安装 360° Side Wall <150° Ceiling Mounted 360°	探测范围 Detection Range Max.Radius 6m/19.68ft Max.Radius 6m/19.68ft	质保 Warranty 5年

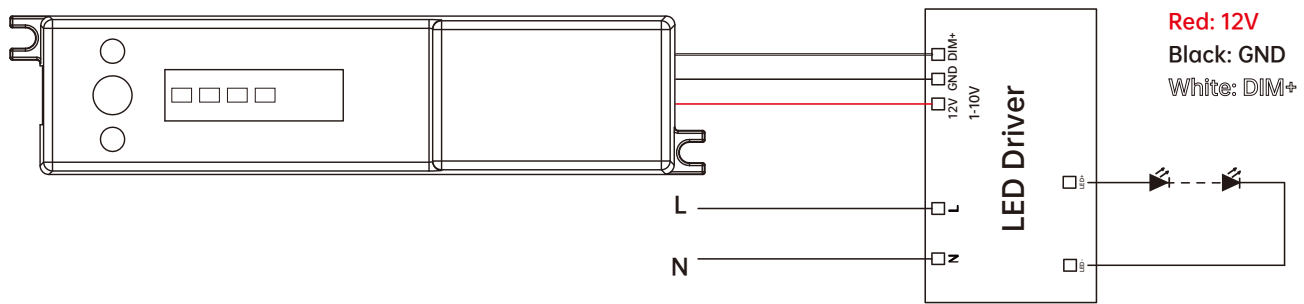
Mechanical Structure 结构图



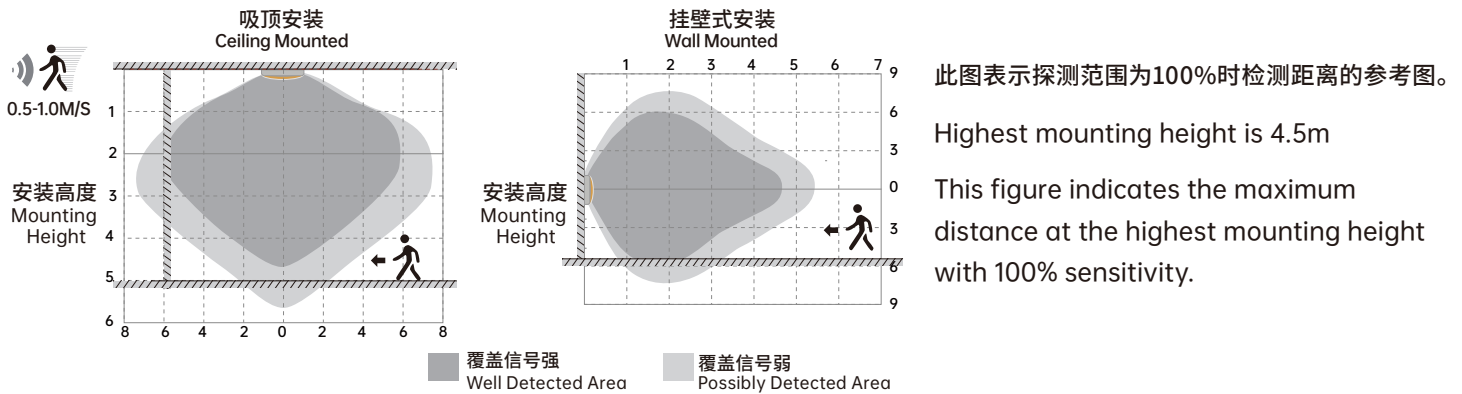
- ① 安装孔 Installation Hole
- ② 居民模式 Popular Mode
- ③ 商用模式 General Mode
- ④ 关闭感应功能 Sensor OFF
- ⑤ 测试模式 Testing Mode
- ⑥ 微波模组 Antenna Module

Dimensions 尺寸图 Unit: mm





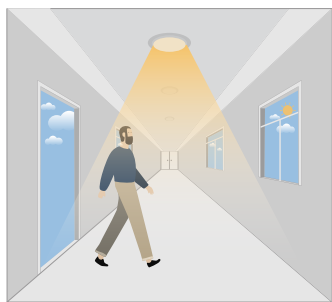
Detection Patterns 探测范围图



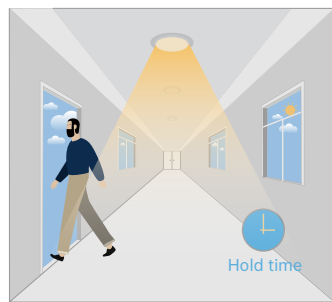
Performance 功能图示

1.No daylight function

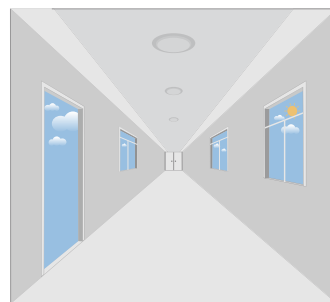
感应器检测到有人走动时灯亮，人离开后延时时间结束灯自动熄灭。



当检测到运动时，灯自动100%亮启。
When motion is detected, the sensor will switch on the light to 100% brightness.



当人离开检测区域后，灯保持百分之百亮度并进入延时时间。
After people leave the detection area, light remains 100% brightness within hold time.



延时时间以后，感应器没有再检测到人体运动，进入守候无穷大（商业模式）或直接灭灯。
After holdtime, if sensor doesn't detect any motion, it will go infinite standby period (in general mode) or turn off light.



Attention 注意事项

1. Please read the instructions carefully before using this product and keep it well for all users to read at any time.
2. The sensor should be installed by qualified electrician and ensure power is off before the installation.
3. We reserve the right to modify any incorrect text, image and necessary technical parameters.
4. Any unauthorized modification is forbidden, otherwise all guarantees will be immediately invalid.

- 1、使用本产品前请仔细阅读使用说明，并妥善保管以便所有使用者随时参阅。
- 2、感应器应由专业的电工安装，并确保在安装前，切断电源。
- 3、我们将保留对任何错误文字或图像以及必要的技术参数做出修改的权利。
- 4、未经授权不得擅自修改感应器，否则一切签约保证将立即失效。

Installation precautions 安装注意事项

1. Microwave sensor can be installed in any lamp except the one with full metal shell.
2. The detected surface cannot be shielded by metal objects.
3. Make sure the microwave module is completely exposed outside.
4. The detection surface of the sensor module shall be installed facing the detection area.
5. Should be kept away from the driver to avoid interference generation and lamp flashing.
6. Wiring must be strictly in accordance with the wiring diagram to avoid short circuit.

- 1、除全金属壳灯具外，微波感应器可内置安装在其它任意灯具内。
- 2、微波感应面不能有金属物体遮挡。
- 3、开孔安装时，确保微波模块应完全裸露在外，否则会导致灯常亮或不灭。
- 4、感应模组探测面应面对检测区安装，否则会导致无感应或灯常亮。
- 5、应与驱动保持距离，否则会产生干扰，导致灯闪。
- 6、须严格按照接线图接线，否则会导致感应器短路。

Application Environment 应用环境

1. Suitable for indoor installation to avoid false triggering due to external factors such as rain, wind or tree swing.
2. Shall not be installed in the place with all four metal shelters and small space (such as galvanized-iron roof).
3. Shall note be mounted installation, so as to avoid false trigger caused by the lamp itself shaking.
4. Shall not be installed next to large operating machines such as ventilator/ceiling fan to avoid false triggering caused by machine vibration.

- 1.适用于室内安装，以免外界因素如下雨、刮风或树木摆动而误触发微波感应器。
- 2.避免安装在四面都有金属遮挡物，且空间狭小的地方（如铁皮房），以免造成灯常亮等自激现象。
- 3.避免悬挂式安装，以免灯具自身摇晃引起的误触发。
- 4.避免安装在大型运作的机器旁（如抽风机/吊扇），以免机器震动引起误触发。

User Notes 用户须知

1. Microwave can penetrate walls or glass thinner than <20mm and attenuate if thicker than <20mm.
2. The driver voltage shall be stable and float within 10%.
3. Detection area will be affected by speed of motion, mounting height and movement volume.

- 1.除金属外，微波可穿透墙壁或玻璃（<20mm），但会有衰减。
2. 驱动电压需稳定，不能超出或低于工作电压 ±10%
- 3.微波感应器会受安装环境、灯具、测试人员身形和速度的影响，探测范围会有所差异。